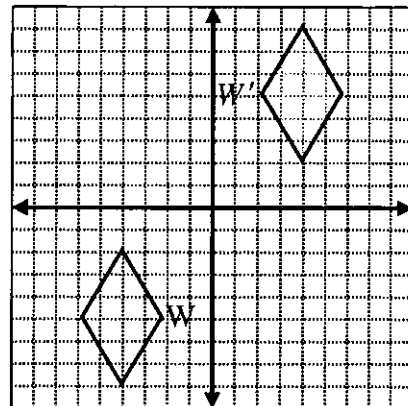


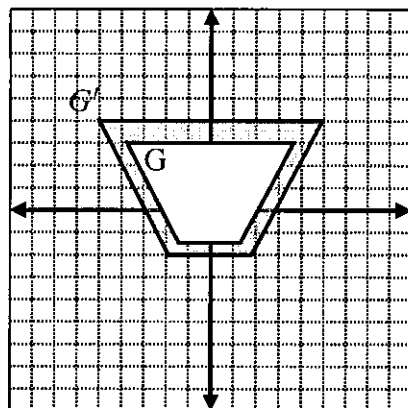
18) Tell whether the following image is a translation, reflection, rotation, or dilation of the pre-image (gray figure)

- a. translation
- b. rotation**
- c. reflection
- d. dilation



19) Tell whether the following image is a translation, reflection, rotation, or dilation of the pre-image (gray figure)

- a. translation
- b. rotation
- c. reflection
- d. dilation**



**** Double check all your ordered pairs. Make sure the negatives and positives are correct! ****

Challenge

Which transformation does not result in a congruent figure?

dilation